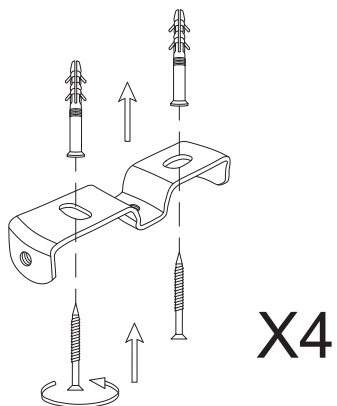
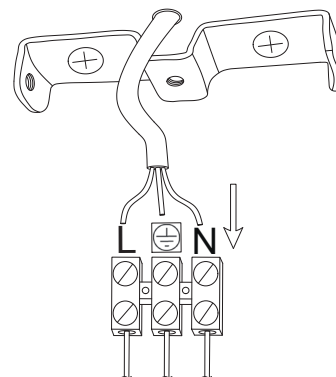


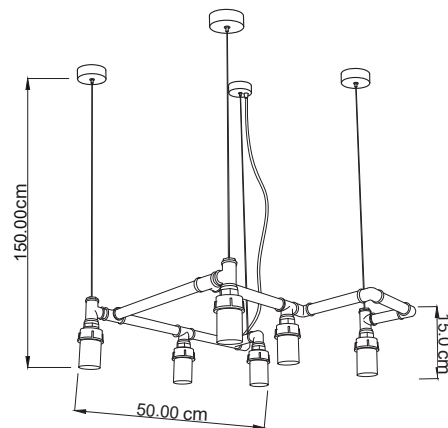
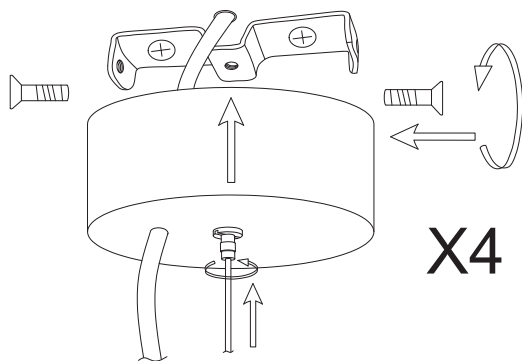
①



②



③



B

## Equipment

Drywall screw	8
Dowel	8